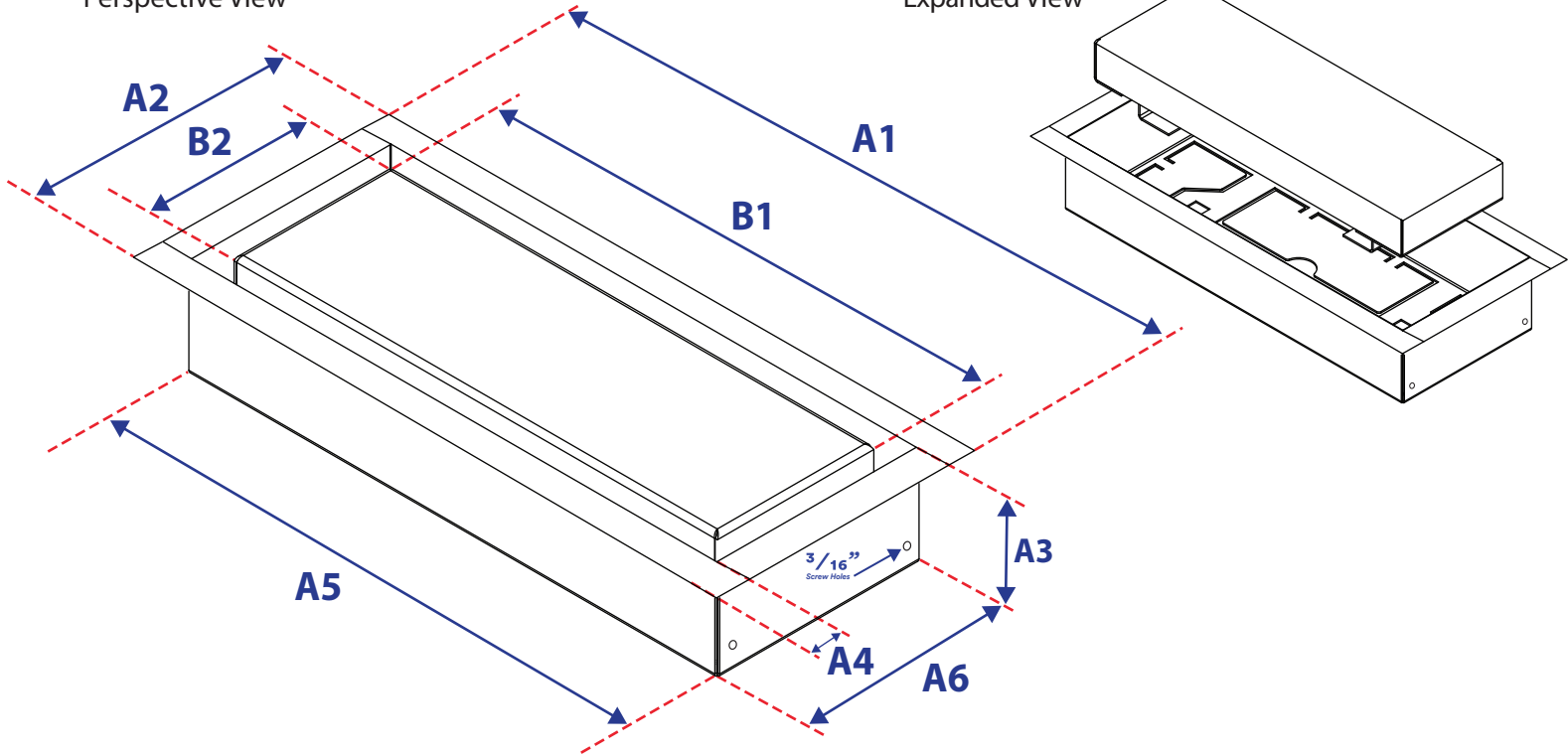




Framed Wall Supply Vent [Luxe] Specification Sheet

Perspective View

Expanded View



Component Dimensions

Imperial

	3"x10"	4"x10"	4"x12"	6"x10"	6"x12"	6"x14"	8"x8"
A1	11"	11"	12 1/4"	10 1/8"	12 15/16"	14 15/16"	9 1/8"
A2	4 1/8"	5"	5"	6 1/8"	7"	7"	9 1/8"
A3	1 13/16"	1 13/16"	1 13/16"	1 13/16"	1 13/16"	1 13/16"	2 7/8"
A4	5/8"	5/8"	5/8"	5/8"	5/8"	5/8"	5/8"
A5	9 3/4"	9 3/4"	10 7/8"	8 7/8"	11 3/4"	13 3/4"	7 7/8"
A6	2 7/8"	3 3/4"	3 3/4"	5 3/4"	5 3/4"	5 3/4"	7 7/8"
B1	8 13/16"	8 7/8"	11 3/4"	9 3/4"	10 11/16"	12 11/16"	6 1/2"
B2	2"	2 7/8"	2 7/8"	4 7/8"	4 11/16"	4 11/16"	6 1/2"

Metric

	3"x10"	4"x10"	4"x12"	6"x10"	6"x12"	6"x14"	8"x8"
A1	279mm	279mm	311mm	257mm	329mm	379mm	232mm
A2	105mm	127mm	127mm	127mm	178mm	178mm	232mm
A3	46mm	46mm	46mm	46mm	46mm	46mm	73mm
A4	16mm	16mm	16mm	16mm	16mm	16mm	16mm
A5	248mm	248mm	246mm	225mm	298mm	349mm	200mm
A6	73mm	95mm	95mm	146mm	146mm	146mm	200mm
B1	224mm	225mm	298mm	248mm	271mm	322mm	165mm
B2	51mm	73mm	73mm	124mm	119mm	119mm	165mm

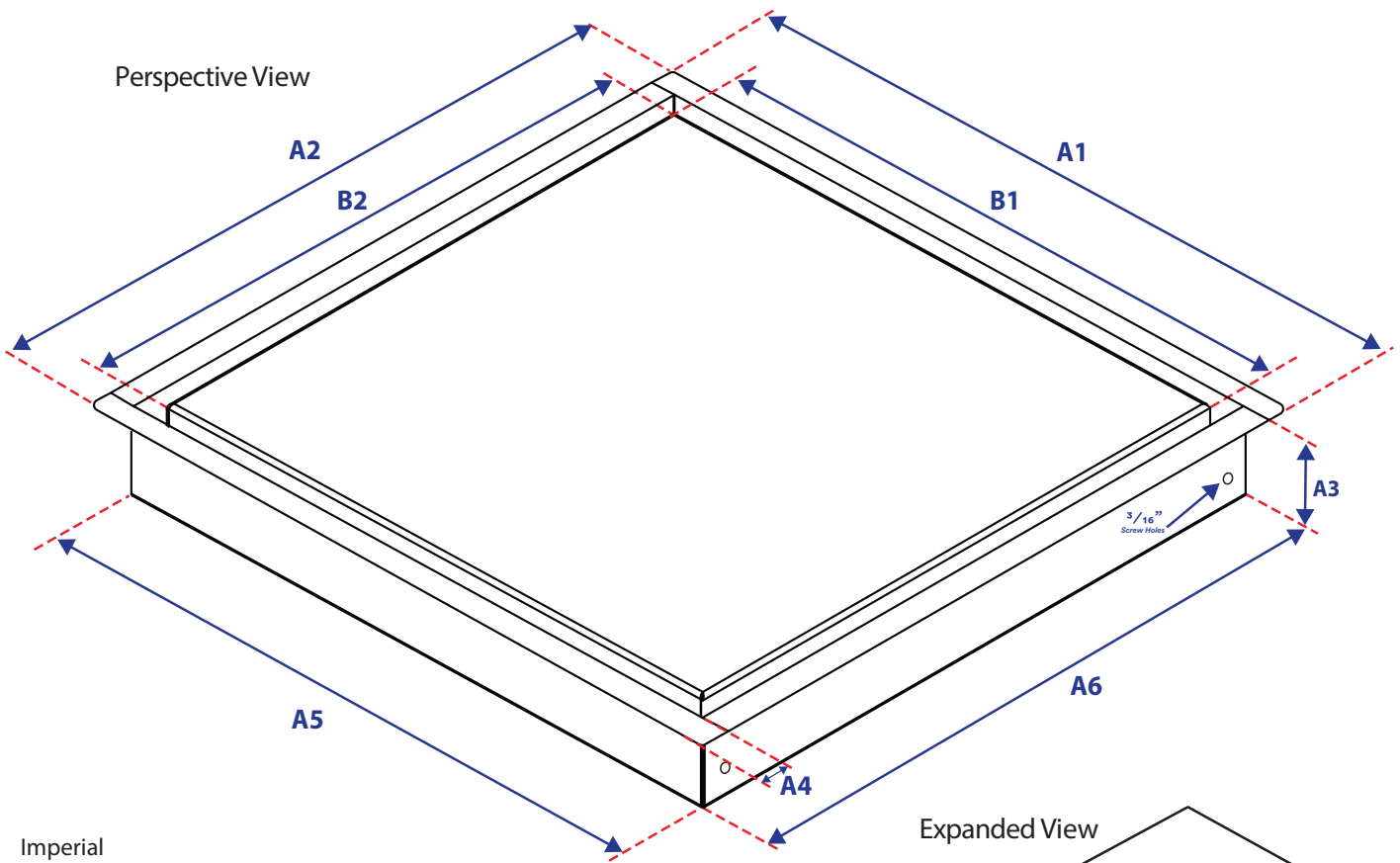
Components

Tray: Powder coated surface to be finished with paint or wallpaper. Can slide and remove to access air flow dampers.

Body: Framed edge for quick and easy drop-in installation. No mudding or sanding required.

Air Flow Control

Air flow can be controlled at any time after install. Slide tray to access flanges. For optimal airflow open all dampers beyond 90



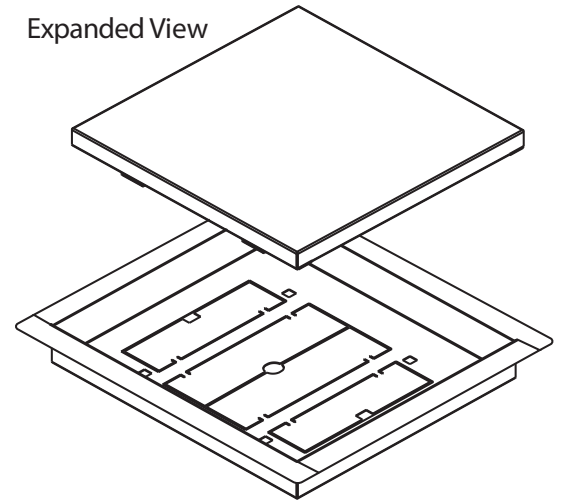
Imperial

	10"x10"	12"x12"	10"x14"	10"x30"
A1	11"	13"	15 5/16"	31 1/2"
A2	11"	13"	11 1/4"	11 1/4"
A3	1 13/16"	1 13/16"	1 13/16"	1 13/16"
A4	5/8"	5/8"	5/8"	5/8"
A5	9 3/4"	11 3/4"	14 1/16"	30 1/4"
A6	9 3/4"	11 3/4"	9 15/16"	10"
B1	7 15/16"	9 15/16"	12 7/16"	26 7/8"
B2	7 15/16"	9 15/16"	8 3/16"	6 5/8"

Metric

	10"x10"	12"x12"	10"x14"	10"x30"
A1	279mm	330mm	389mm	800mm
A2	279mm	330mm	286mm	286mm
A3	46mm	46mm	46mm	46mm
A4	16mm	16mm	16mm	16mm
A5	248mm	298mm	357mm	768mm
A6	248mm	298mm	254mm	254mm
B1	202mm	252mm	316mm	683mm
B2	202mm	252mm	208mm	168mm

Expanded View



Components

Tray: Powder coated surface to be finished with paint or wallpaper. Can slide and remove to access air flow dampers.

Body: Framed edge for quick and easy drop-in installation. No mudding or sanding required.

Air Flow Control

Air flow can be controlled at any time after install. Slide tray to access flanges. For optimal airflow open all dampers beyond 90